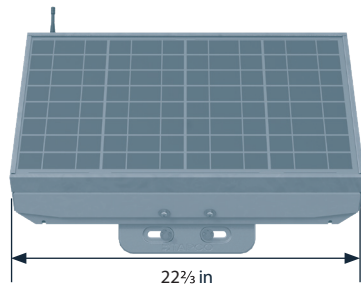


# SOLAR-POWERED BLINKERSIGN®

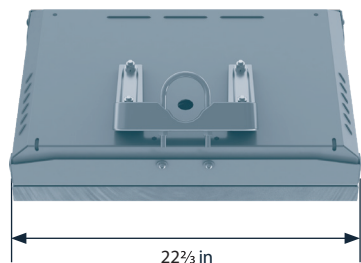
## Top-of-pole self-contained control cabinet

### TOP-OF-POLE CONTROL CABINET

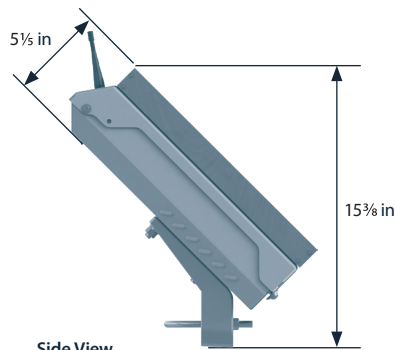
HOUSING	NEMA 3R type aluminum
SOLAR PANEL	20 watt
BATTERY	12V, up to 44Ah
BATTERY LIFESPAN	3 to 5 years, field replaceable
MOUNTING OPTIONS	Round poles: 2 3/8" up to 4 1/2"; Square posts: 1 3/4" up to 2 1/2"
MOUNTING HARDWARE	Stainless steel hardware
WARRANTY	3-year limited battery warranty 5-year limited system warranty 10-year limited solar panel warranty



Front View



Back View



Side View



## PEDESTRIAN CROSSING BLINKERSIGN<sup>®</sup>

SIGN SUBSTRATE	.080 highway grade aluminum
REFLECTIVE SHEETING	3M™ DG3 with anti-graffiti overlay
FLASH FREQUENCY	MUTCD section 2A.07 compliant, 51-59 flashes per minute
LED TYPE	High power Luxeon: 1 watt
LED LIFE EXPECTANCY	100,000 hours
MOUNTING HARDWARE	Various options available
SIGN LEGEND	Various options available
WIND LOAD RATING	Up to 120mph*
OPERATING TEMPERATURE RANGE	-40°F to 122°F

\*Dependent upon pole size and system arrangement

## BLINKERBEAM<sup>®</sup> WIRELESS COMMUNICATION

FREQUENCY	900 MHz FHSS (Frequency Hopping Spread Spectrum)
RANGE	900 feet (radio site survey recommended)
CONNECTIVITY	Crosswalk and optional advanced warning LEDs activate concurrently

## ACTIVATIONS

PUSH BUTTON ACTIVATION	ADA push button, typical (<120 millisecond)
USER-ACTUATED PUSH BUTTON	XAV2-LED or Bulldog
PASSIVE DETECTION	Wireless bollards
TIME CLOCK	Schedule flashing alert

## OPTIONAL PROGRAMMING

BlinkLink <sup>®</sup>	Optional cloud software with cellular modem**
------------------------	---

\*\*Dependent upon system configuration



BLINKERSIGN<sup>®</sup>



BLINKERBEAM<sup>®</sup> WIRELESS RADIO



XAV2-LED PUSH BUTTON



BULLDOG PUSH BUTTON